

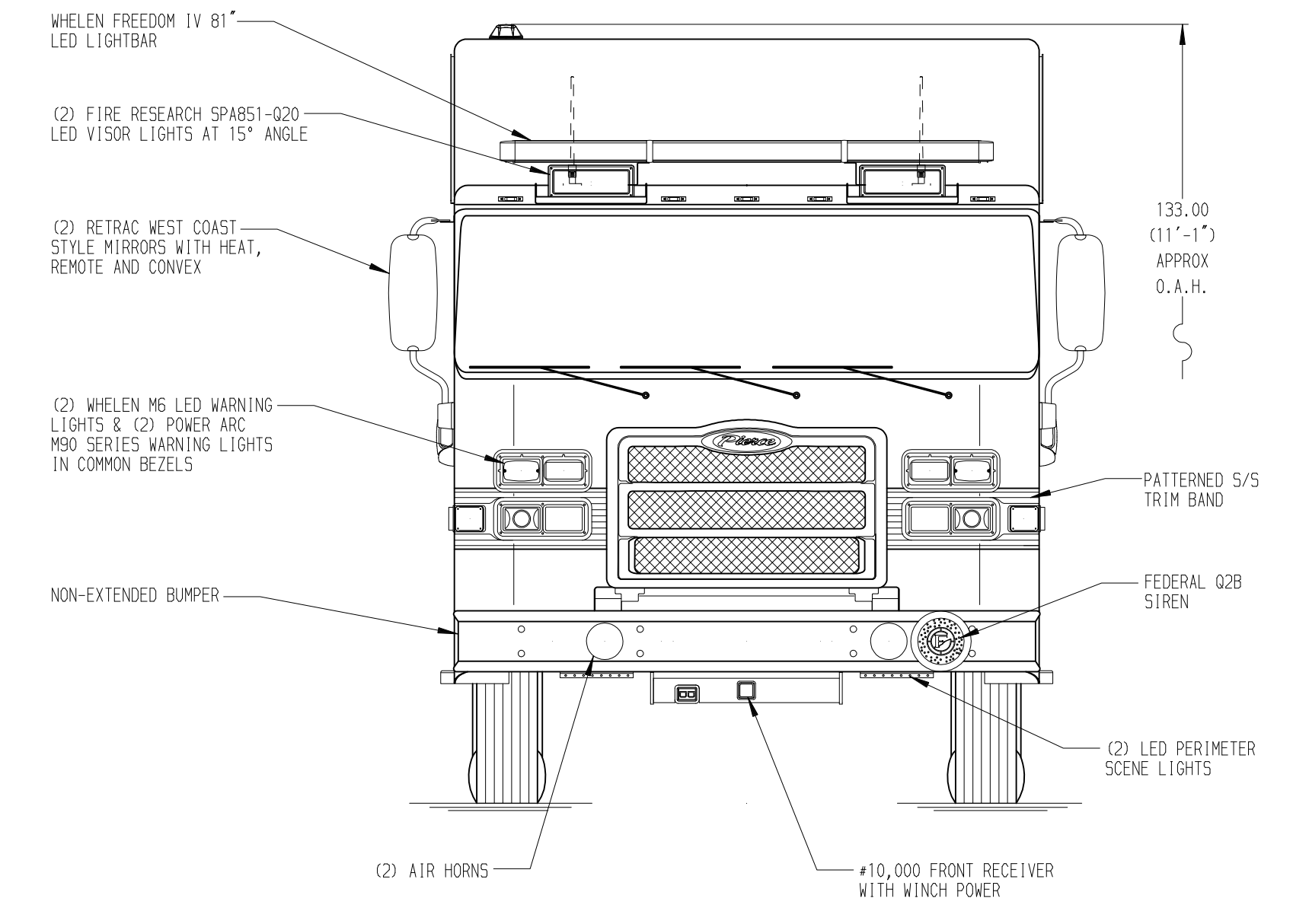
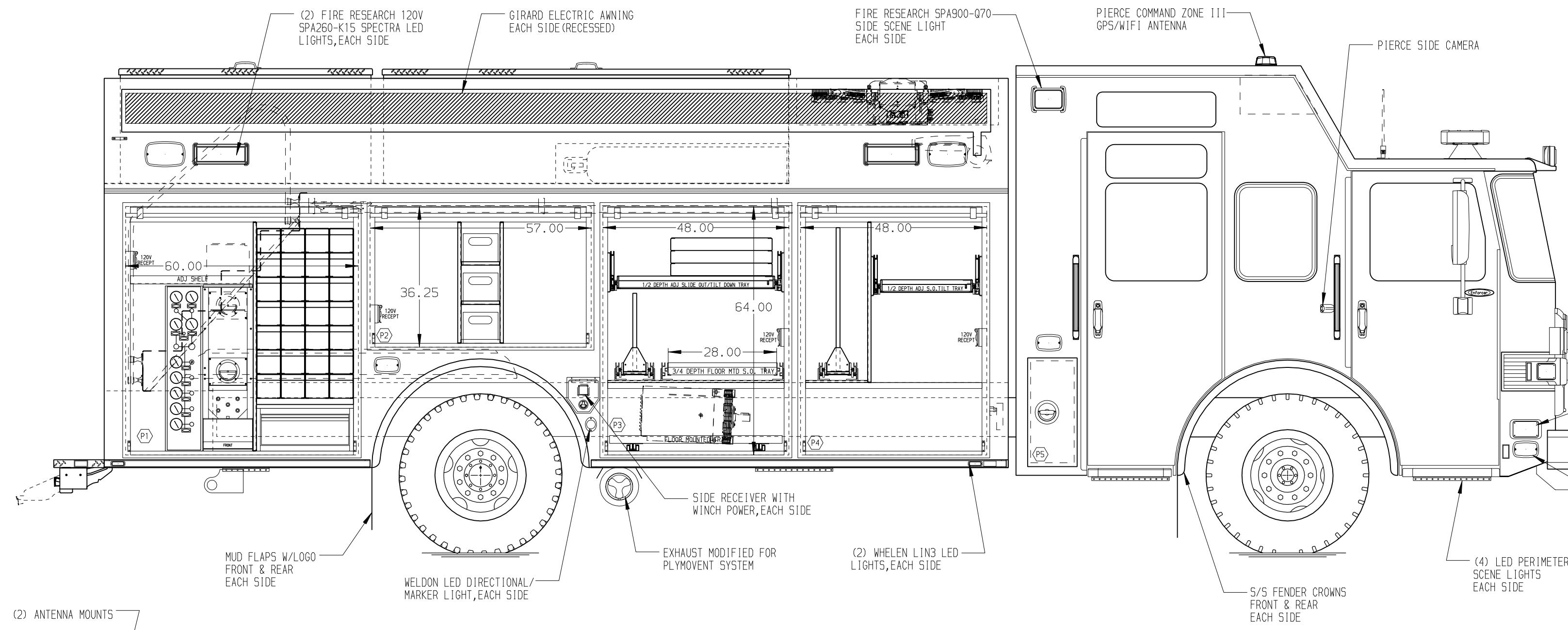
PASSENGER'S SIDE COMPARTMENTS CONTAIN THE FOLLOWING:

- COMPARTMENT P1 CONTAINS:**
- (1) RACK FOR 28 SCBA BOTTLES
 - (1) CASCADE SYSTEM CONTROL PANEL
 - (1) "SPACE SAVER" 2-BOTTLE FILL ENCLOSURE
 - (1) STD DEPTH ADJ SHELF
 - (1) VERTICAL COMPARTMENT DIVIDER
 - (1) HORIZONTAL FLOOR EXTENSION
 - (1) C-TECH CABINET
 - (1) 15A, 120V DUPLEX RECEPTACLE

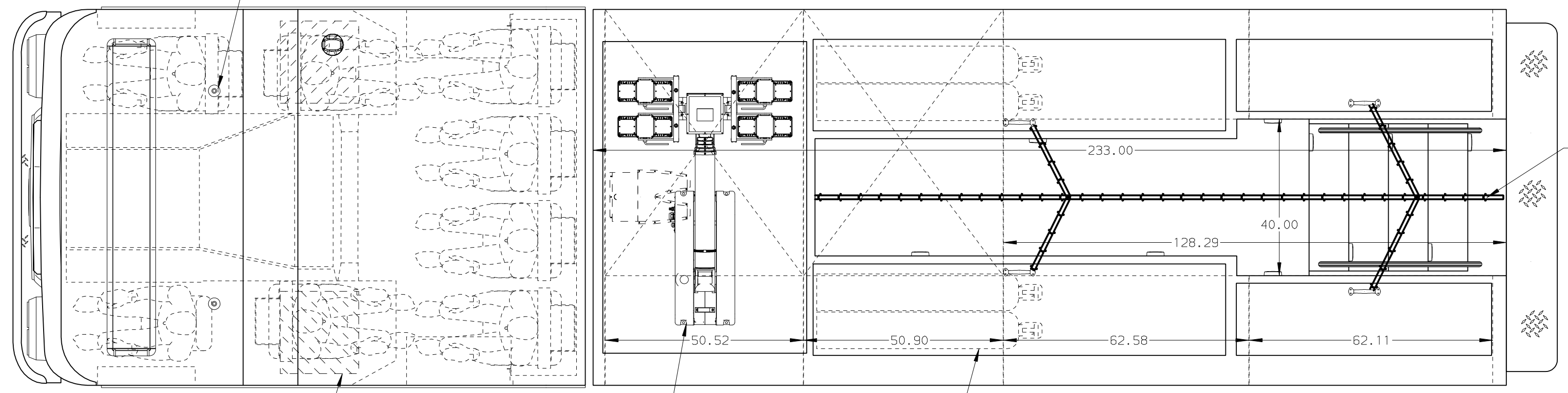
- COMPARTMENT P2 CONTAINS:**
- (2) VERTICAL COMPARTMENT DIVIDERS
 - (2) HORIZONTAL DIVIDERS
 - (3) POLY TOOL BOXES
 - (1) 15A, 120V DUPLEX RECEPTACLE (GEN)
 - (1) 15A, 120V DUPLEX RECEPTACLE (SHORE)

- COMPARTMENT P3 CONTAINS:**
- (1) HORIZONTAL FLOOR EXTENSION
 - (1) 1/2 DEPTH ADJ SLIDE OUT/TILT TRAY
 - (1) 3/4 DEPTH FLOOR MTD SLIDE OUT TRAY
 - (1) FLOOR MOUNTED TRAY
 - (1) 3/4 DEPTH ADJ SLIDE OUT TOOLBOARD
 - (1) 15A, 120V DUPLEX RECEPTACLE (GEN)
 - (1) 15A, 120V DUPLEX RECEPTACLE (SHORE)
 - (1) RACK FOR 3 AIR BAGS

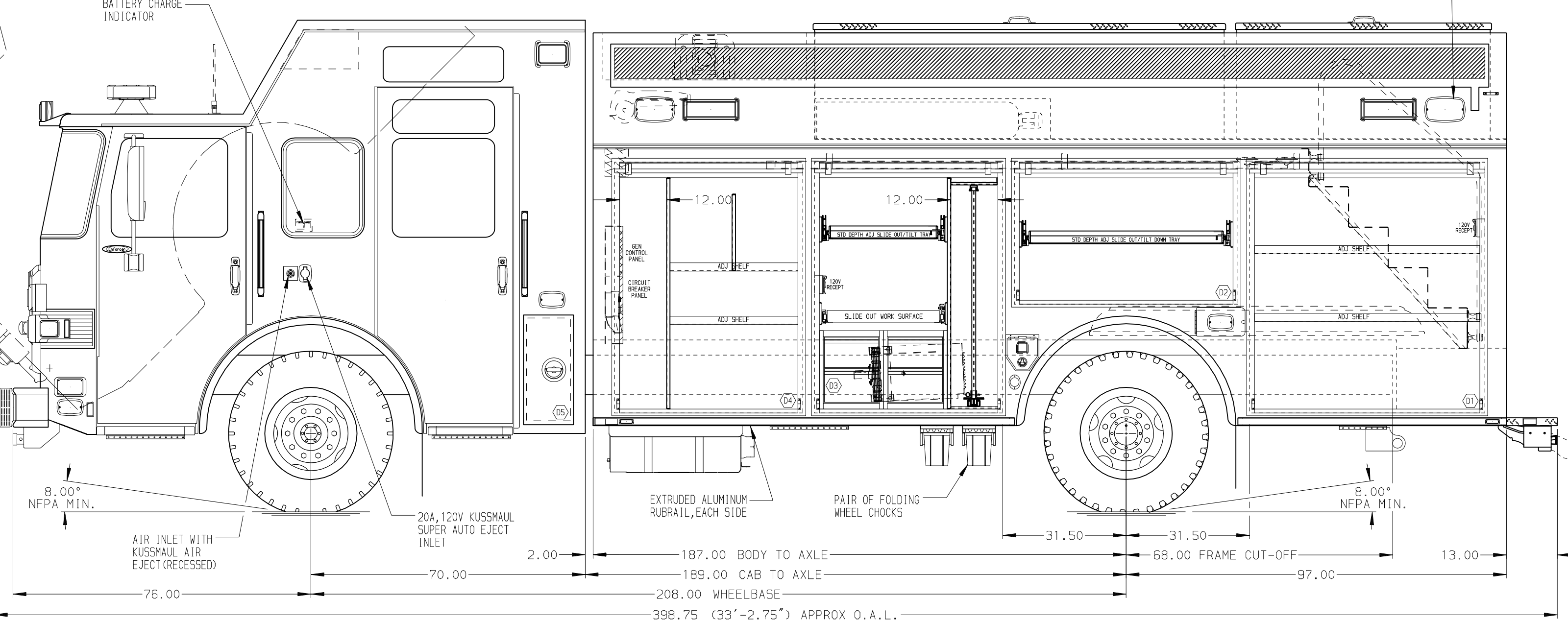
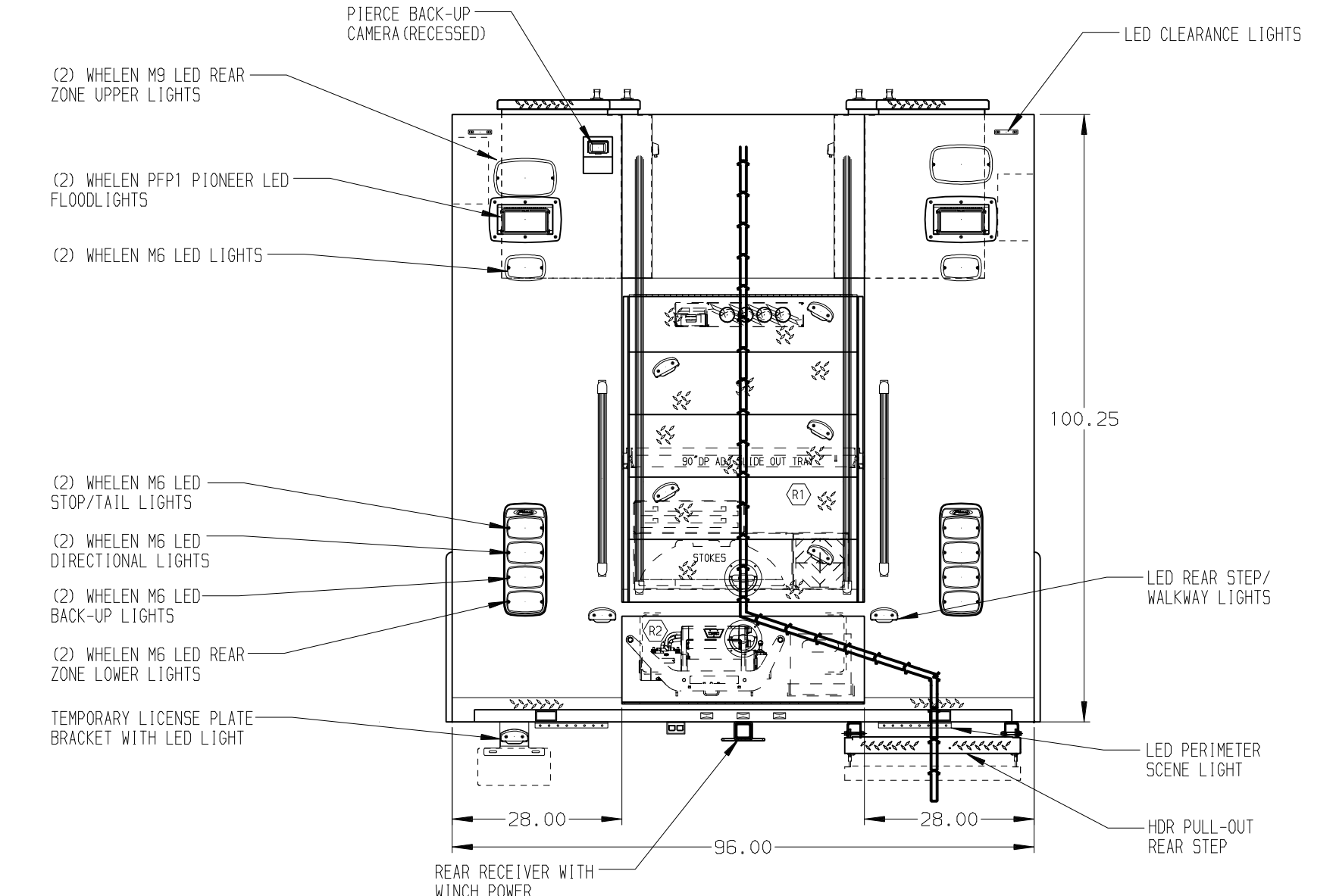
- COMPARTMENT P4 CONTAINS:**
- (1) VERTICAL COMPARTMENT DIVIDER
 - (1) HORIZONTAL FLOOR EXTENSION
 - (1) 1/2 DEPTH ADJ SLIDE OUT/TILT TRAY
 - (1) 3/4 DEPTH ADJ SLIDE OUT TOOLBOARD
 - (1) 15A, 120V DUPLEX RECEPTACLE (SHORE)
 - (1) CAB LIFT CONTROLLER



- REAR COMPARTMENT CONTAINS THE FOLLOWING:**
- COMPARTMENT R1 CONTAINS:**
- (1) 90" DP ADJ SLIDE OUT TRAY
 - (2) RACKS FOR THE FOLLOWING:
 - (1) 10" FOLDING LADDER
 - (4) PIKE POLES
 - (1) STOKES BASKET
 - (2) BACKBOARDS
 - (4) 4" X 4" CRIBBING
- COMPARTMENT R2 CONTAINS:**
- (1) WARN PORTABLE WINCH
 - (1) POLY TOOL BOX



- DRIVER'S SIDE COMPARTMENTS CONTAIN THE FOLLOWING:**
- COMPARTMENT D1 CONTAINS:**
- (2) STD DEPTH ADJ SHELVES
 - (1) 15A, 120V T.L. RECEPTACLE
- COMPARTMENT D2 CONTAINS:**
- (1) STD DEPTH ADJ SLIDE OUT/TILT TRAY
- COMPARTMENT D3 CONTAINS:**
- (1) VERTICAL COMPARTMENT DIVIDER
 - (1) STD DEPTH ADJ SLIDE OUT/TILT TRAY
 - (1) REAR WALL COMPARTMENT DIVIDER
 - (1) STD DEPTH ADJ SLIDE OUT TOOLBOARD
 - (2) 2-DRAWER C-TECH CABINETS
 - (1) SLIDE OUT WORK SURFACE W/DRY ERASE
 - (1) 15A, 120V DUPLEX RECEPTACLE (GEN)
 - (1) 15A, 120V DUPLEX RECEPTACLE (SHORE)
- COMPARTMENT D4 CONTAINS:**
- (1) KUSSMAUL 10TA 75A CHARGER
 - (1) VERTICAL COMPARTMENT DIVIDER
 - (2) STD DEPTH ADJ SHELVES
 - (1) REAR WALL COMPARTMENT DIVIDER
 - (1) CIRCUIT BREAKER PANEL
 - (1) GENERATOR METER PANEL
 - (1) LIGHT TOWER CONTROLLER
 - (1) DIVIDER IN UPPER SHELF



CUSTOMER APPROVAL
 APPROVED BY: _____
 DATE: _____

Pierce MANUFACTURING INC.

JOB NO. 30398
 SCALE 1:24
 DATE _____

NOTE
 DIMENSIONS SHOWN ARE APPROXIMATE AND ARE SUBJECT TO MINOR DEVIATIONS AS MAY OCCUR OR BE NECESSARY IN CONSTRUCTION.
 MINOR DETAILS NOT SHOWN.

- NOTES:**
- POLISHED S/5 SCUFFPLATES ON CAB AND CREW CAB DOORS
 - FLOOR IN CAB AND CREW CAB TO BE PADDED RUBBER
 - #9,000 RECEIVER STYLE TIE DOWN
 - PULL STRAP ON R1 COMPARTMENT DOOR
 - S/5 GUARDS ON ALL BODY ROLL UP DOORS
 - AMOR DUAL LED LIGHTS IN ALL BODY AND HATCH COMPARTMENTS
 - REMOVABLE COVER OVER CASCADE BOTTLES IN HATCH COMPARTMENTS
 - ONAN 25kW SINGLE PHASE P10 DRIVEN GENERATOR WITH SPLASH GUARD LOCATED BETWEEN THE FRAME RAILS
 - (1) 15A, 120V DUPLEX SHORELINE RECEPTACLE BEHIND THE DRIVER'S SEAT
 - COMPARTMENT VENTILATION SYSTEM PROVIDED IN THE RESCUE BODY

FRONTAL IMPACT PROTECTION
STAINLESS STEEL BODY

CLEAR DOOR WIDTH KEY

AMOR ROLL UP DOORS:	-1 7/8"
GORTITE ROLL UP DOORS:	-2 3/4"
PIERCE DOUBLE LIP DOORS:	-4 1/4"
PIERCE LIFT-UP LIP DOORS:	-1 1/2"

(EX: 60" F-F = 1 7/8" = 58 1/8" CLEAR)
 (F-F) = FRAME TO FRAME

REV	DATE	BY	CH	MODEL
12DEC16	DHE	AZU		EN7024

CHASSIS DATA

TITLE: HEAVY DUTY RESCUE NON-WALKIN
 MAKE: PIERCE
 FOR: CITY OF GENEVA FIRE DEPARTMENT GENEVA, NY
 DWG NO.: 30398AD
 SHEET NO.: D
 SHEET SIZE: 1 OF 1